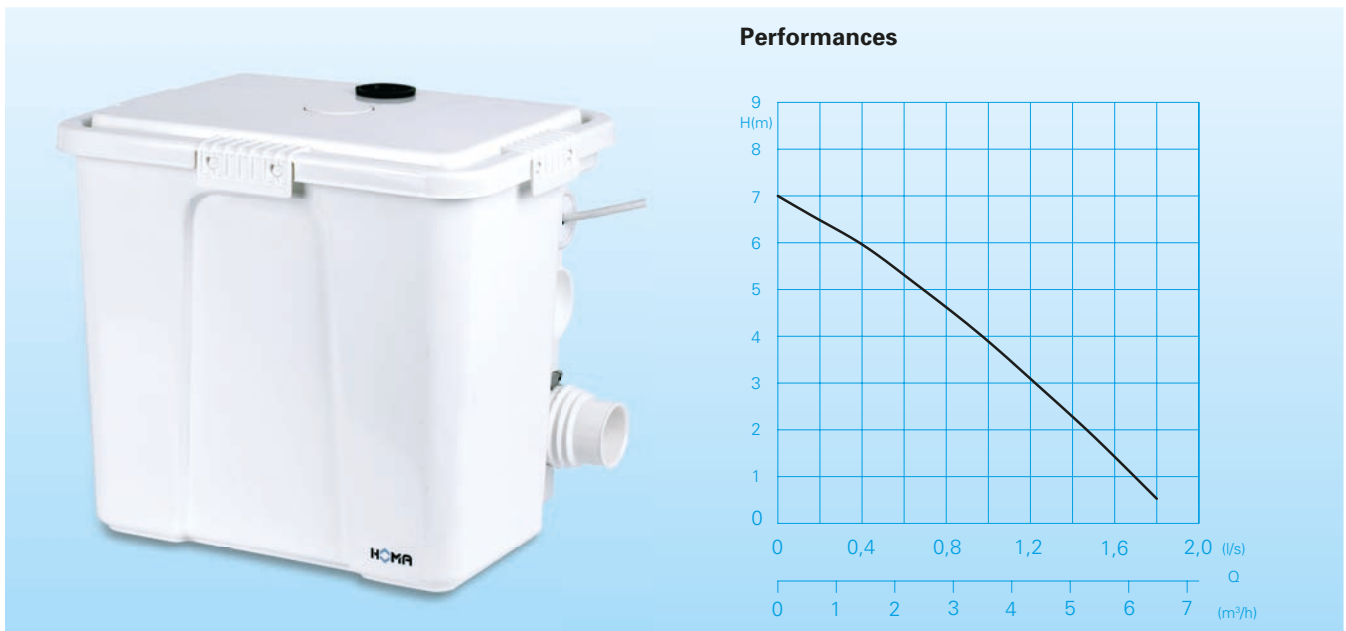


Floor mounted compact drainage water and effluent box

SaniQ plus - C140 WA



Application

Compact mini pump station for sanitary installations. Installation of hand basin, sink, dishwasher, washing machine, shower or bathtub in basement apartments or cellars which are below sewer backflush level. Depending on the installation you may need the special float switch (see accessories) to connect a shower or bathtub. The SaniQ plus is also the ideal solution for subsequent installation of sanitary facilities. The built-in powerful drainage pump operates automatically by a float switch control. The discharge pipe with \varnothing 40 mm minimum diameter can be easily installed with minimum construction work. The SaniQ plus compact design allows installation directly under the hand basin, where space is at a premium.

DIN EN 12050-2: Conformity and design approved and controlled by LGA

Pumped liquid: Domestic drainage water and effluent. Maximum liquid Temperature: 35°C, short term up to 60°C.

Operation: Permanent. (S1)
60°C intermittent (S3-30%)

Technical Data

Curve Nr.	Pump type	Motor P ₁ (kW)	P ₂ (kW)	Nominal current (A)	Discharge	Weight (kg)
①	SaniQ plus - C140 WA	0,32	0,17	1,4	\varnothing 40 (DN 32)	7,0

Speed: 2850 U/min
Cable: H07RN-F 3G1

Model W: 230V/1Ph 50Hz

Design

Compact domestic effluent disposal unit comprising:

Collection Tank: Odour-tight plastic collection tank. Maximum utility volume 27 litres. One top inlet \varnothing 40 mm. Four lateral inlets \varnothing 50 mm. Discharge \varnothing 40 mm (DN32) with integrated non-return valve - optional on the left or right site allows flexible connection. Air vent with activated carbon filter

Pump/Motor: Fully submersible, pressure tight electric motor. Insulation class F. Motor protection IP 68. 3 Triple lip-seal combination. Thermal sensors imbedded in the motor winding. Rotor shaft from stainless steel with ceramic coated sealing surface, pre-lubricated bearings. Open multi-channel impeller, spherical clearance 10 mm.

Pump Operation Control: float switch

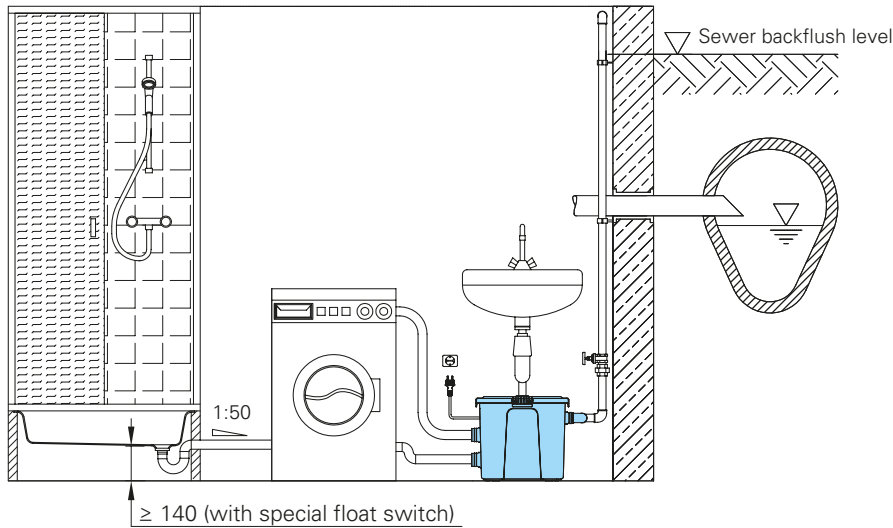
Materials

Collection tank	ABS
Installation kit	Composite
Pump housing	Glass-fibre reinforced synthetic material (composite)
Motor housing	stainless steel
Impeller	Glass-fibre reinforced synthetic material (composite)
Rotor shaft, screws	Stainless steel partially ceramic coated
Seal kit	NBR

Equipment supplied

Collecting tank with pump - fully assembled, washing machine connection, elastic connection pieces, non-return valve, activated carbon filter, 5m cable and plug

Installation

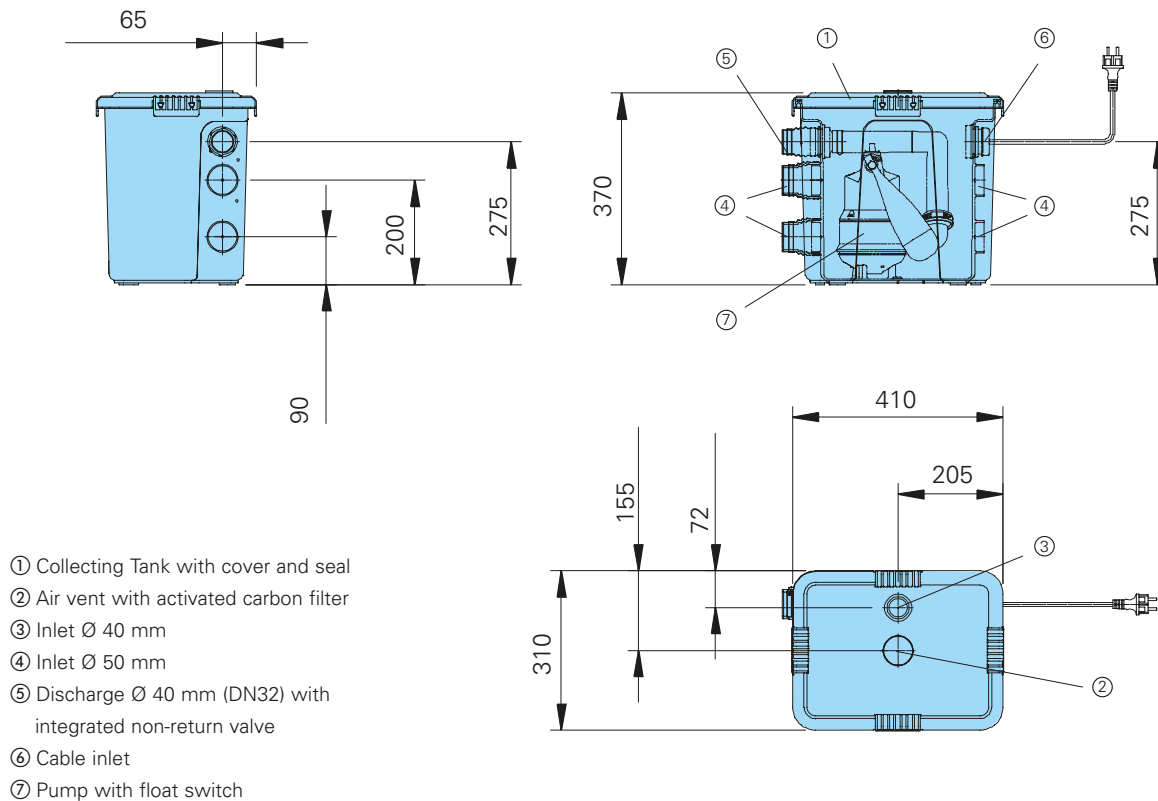


Type	Art.-Nr.
SaniQ plus – C140WA	9804170

Accessories

Description	Dim.	Part No.
Bronze Gate valve	BSP 1 1/4" IG	2216012
Galvanized 90° elbow	BSP 1 1/4" IG	2111405
Galvanized union piece	BSP 1 1/4" IG	2114304
AL3 Alarm unit with level sensor for tanks		1586146
ALWS alarm unit with level sensor for tanks and washing machine off-switch		1586213
Special float switch to reduce switching height. (On ca. 110 mm Off ca. 50 mm)		7300693
Accessories-Kit: Inlet SaniQ plus		860903

Dimensions (all dimensions in mm)



- ① Collecting Tank with cover and seal
- ② Air vent with activated carbon filter
- ③ Inlet Ø 40 mm
- ④ Inlet Ø 50 mm
- ⑤ Discharge Ø 40 mm (DN32) with integrated non-return valve
- ⑥ Cable inlet
- ⑦ Pump with float switch

HOMA
P U M P T E C H N O L O G Y

HOMA Pumpenfabrik GmbH
P.O.Box 22 63, D-53814 Neunk.-Seelscheid
Tel. +49 (0) 22 47/702-0, Fax +49 (0) 22 47/702-44
e-mail: info@homa-pumpen.de
www.homapumps.com